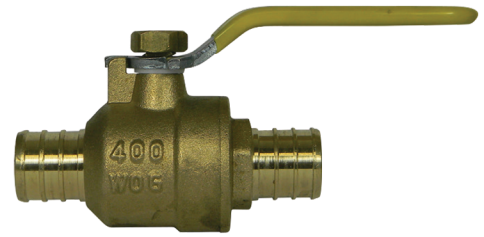


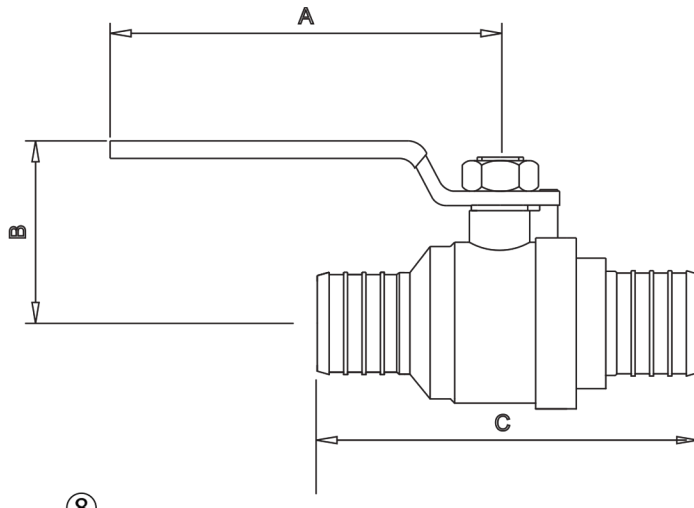
SUBMITTAL DATA SHEET

No-Lead Pex Ball Valves - Specialty Ball Valves Pex Ball Valve - 72030EP

Pex x Pex

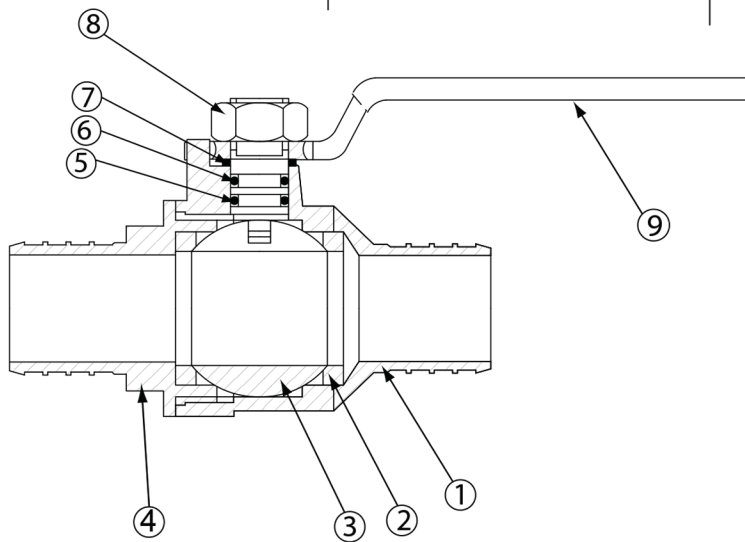


A.Y. McDonald Mfg. Co. No-Lead Pex Ball Valves are constructed from heavy duty no-lead brass and are designed for use with potable water in commercial, industrial, and residential applications.



Dimensions

Size	A	B	C	Weight
1/2"	3.0	1.3	2.32	0.23
3/4"	3.0	1.5	2.54	0.32
1"	4.5	2.0	3.35	0.70
1 1/4"	5.1	2.2	3.57	0.91



Materials

No.	Part	Material
1	Body	No-Lead Brass
2	Seat Ring	Teflon
3	Ball	No-Lead Brass
4	Cap	No-Lead Brass
5	Stem	No-Lead Brass
6	O-ring	NBR
7	Packing	Teflon
8	Nut	Zinc
9	Handle	Zinc Plated w/Vinyl Cover

SUBMITTAL INFORMATION

- Sizes: 1/2" - 1 1/4"
- Double O-ring packing
- Pex ends conform to ASTM F1807
- Blowout proof stem
- 400 CWP
- NSF-372
- NSF/ANSI 61-2013
- NSF/ANSI 14-2010a



NO-LEAD: The weighted average of the wetted surface of this no-lead product contacted by consumable water contains less than one quarter of one percent (0.25%) lead.



A.Y. McDonald Mfg. Co.
P.O. Box 508
Dubuque, IA 52004-0508

Toll Free: 1-800-292-2737
Fax: 1-800-832-9296
Hours: 7:00 a.m. - 5:00 p.m., CST

sales@aymcdonald.com
www.aymcdonald.com

A.Y. McDonald considers the information on this assembly drawing correct when published. Item and option availability, including specifications, are subject to change without notice.

Submitted by: